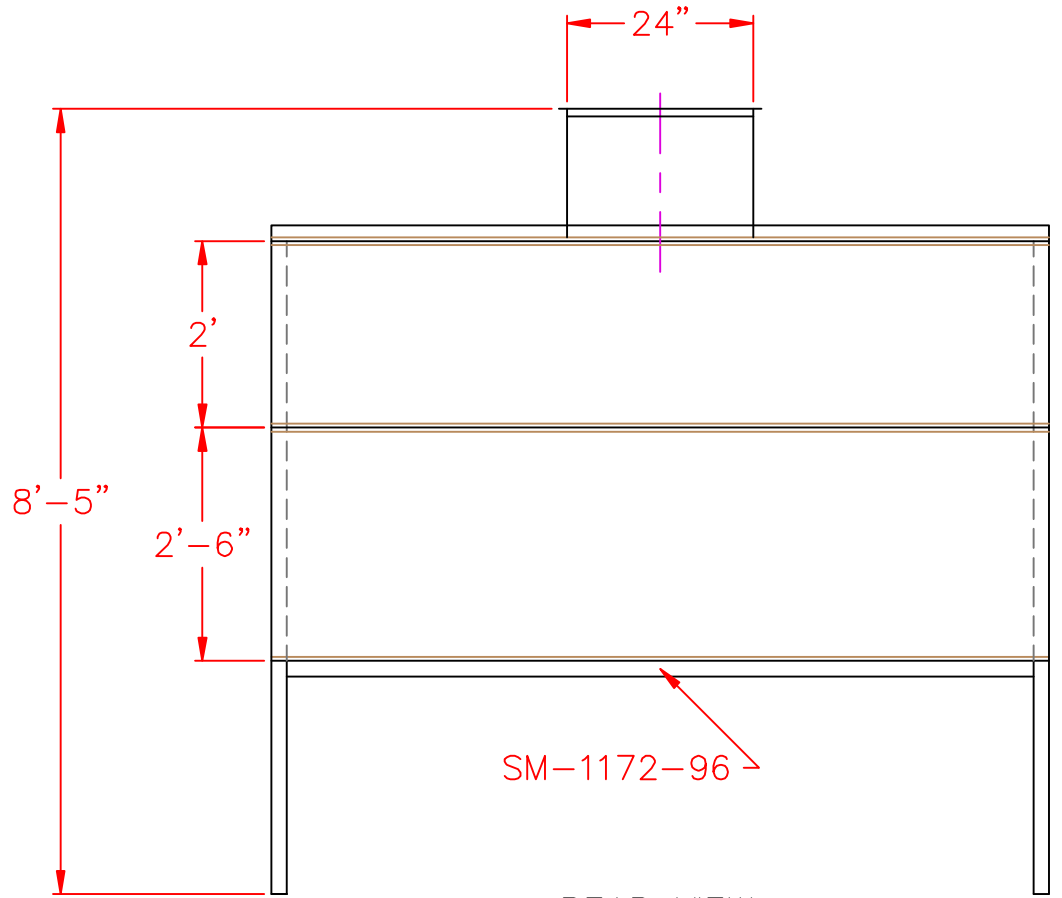
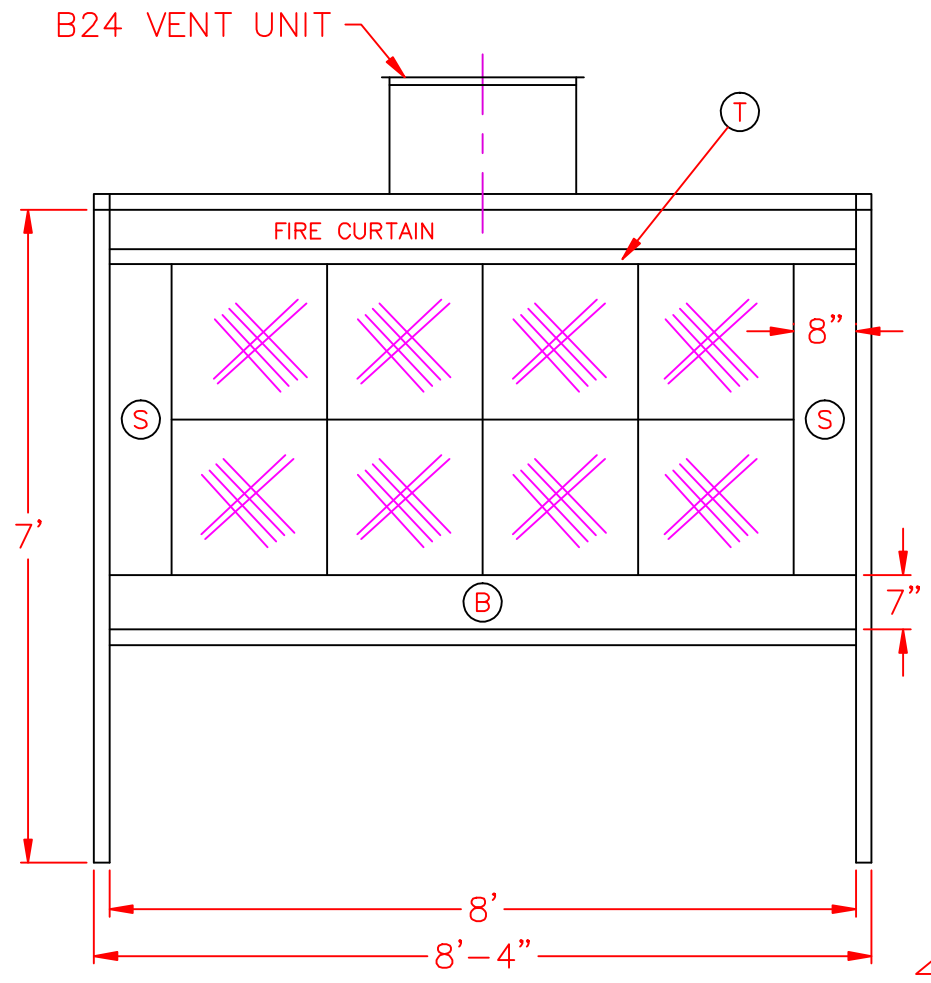


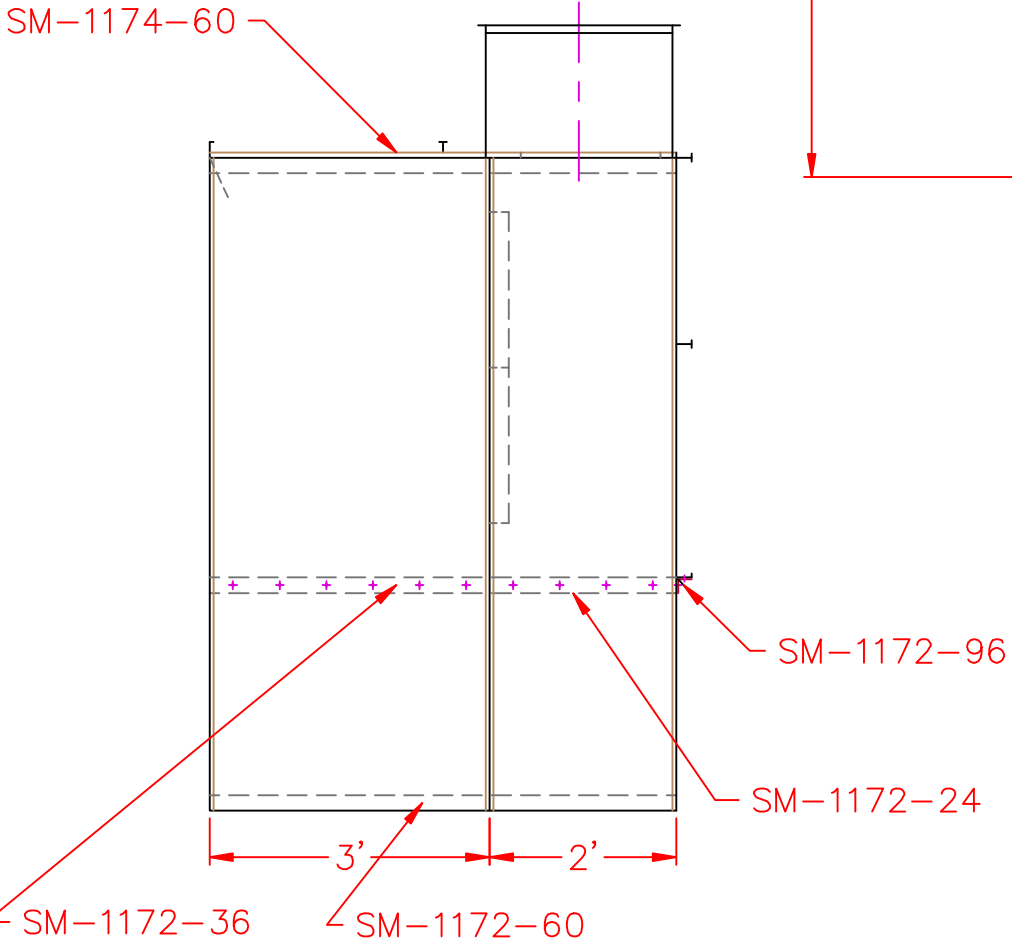
PLAN VIEW



REAR VIEW



FRONT VIEW



RIGHT SIDE VIEW